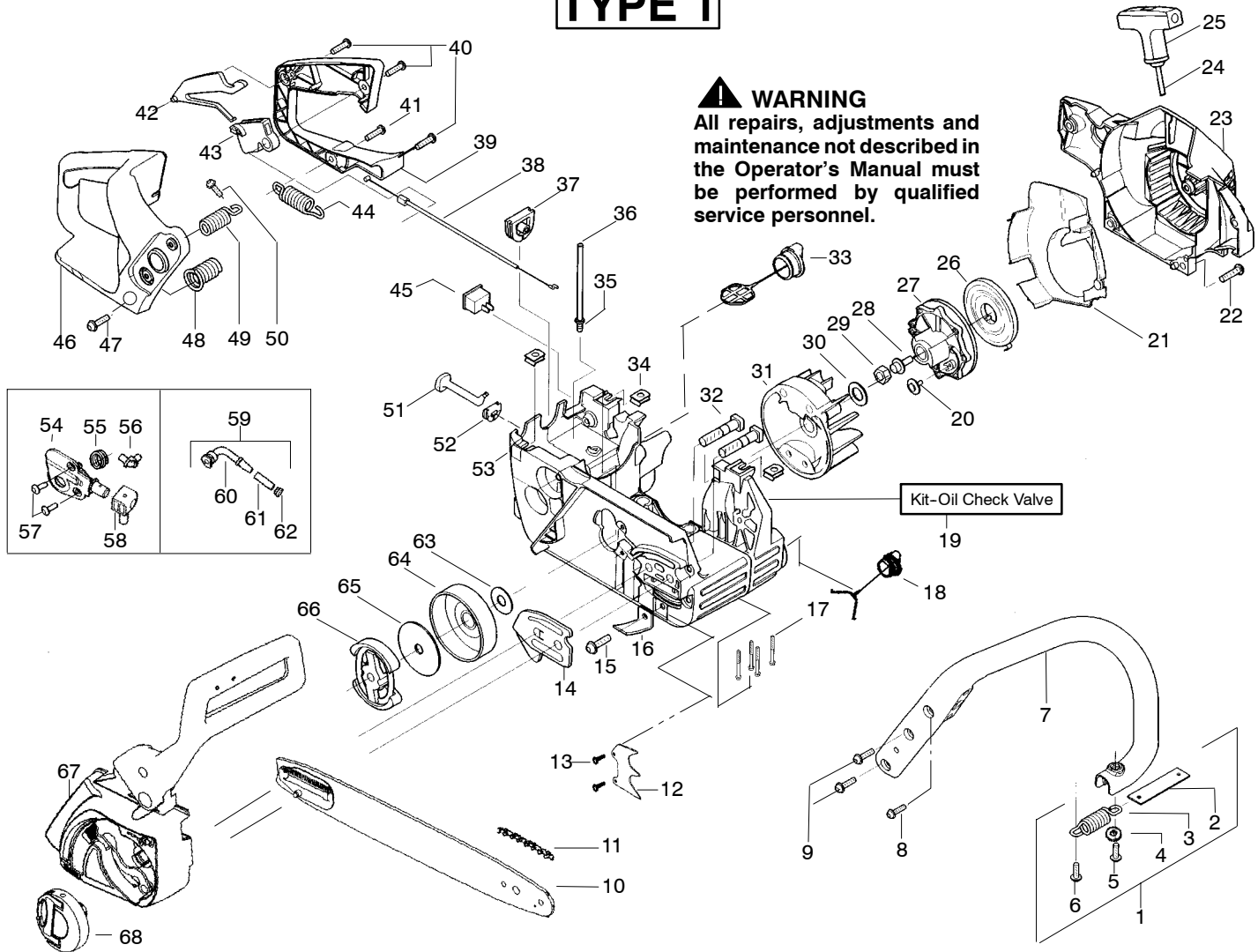


TYPE 1



⚠ WARNING
All repairs, adjustments and maintenance not described in the Operator's Manual must be performed by qualified service personnel.

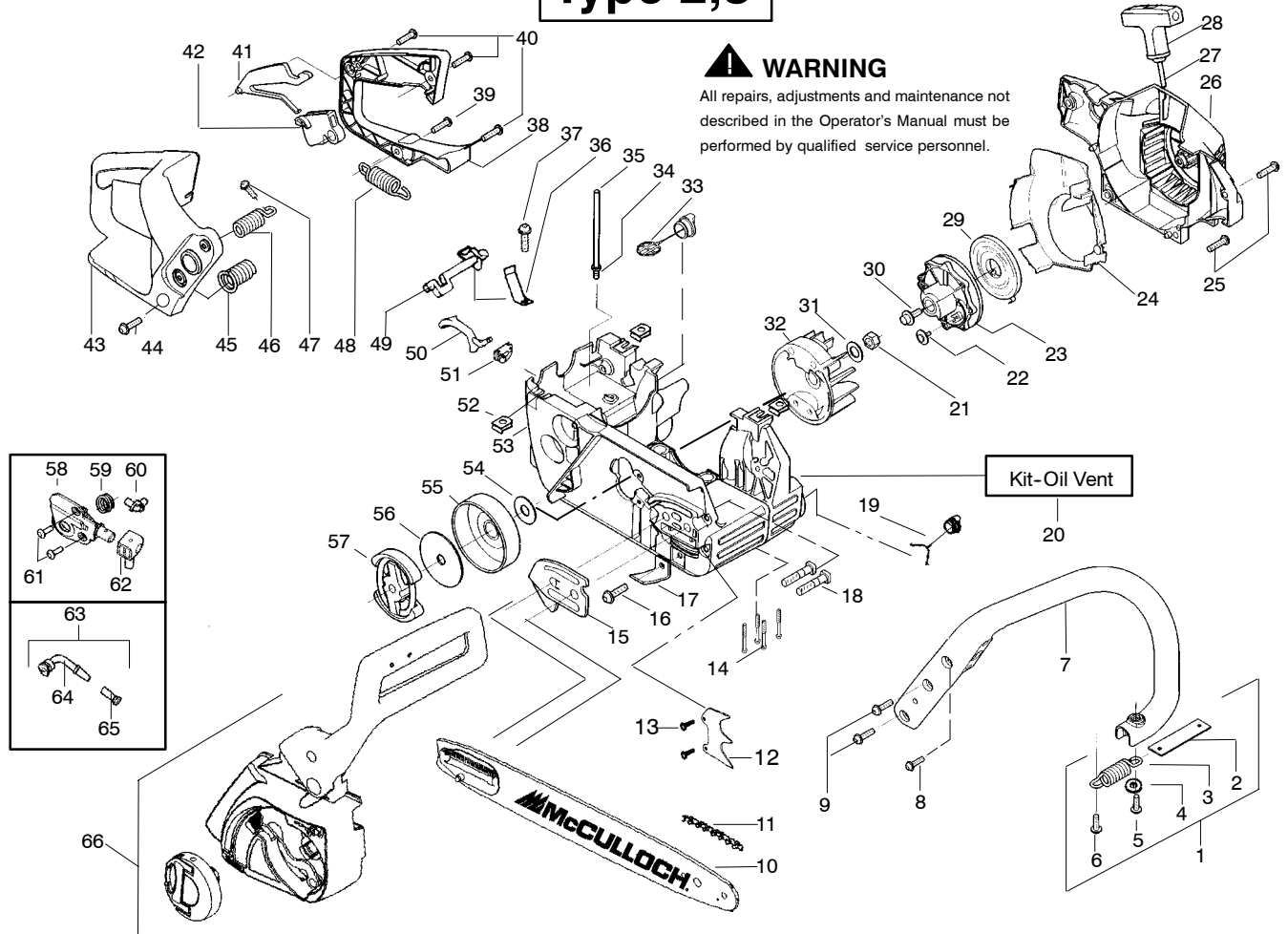
Kit-Oil Check Valve

| Ref. | Part No. | Description | Ref. | Part No. | Description | Ref. | Part No. | Description |
|------|-----------|-----------------------------|------|-----------|-------------------------|------|-----------|-------------------------------------|
| 1. | 530047963 | Assy. - Isolator | 25. | 530056402 | Handle - Starter | 51. | 530047605 | Knob - Choke |
| 2. | 530047608 | Strap - Limiter | 26. | 530027531 | Spring - Recoil | 52. | 530049005 | Grommet - Knob |
| 3. | 530042082 | Spring - Isolator | 27. | 530037817 | Pulley - Starter | 53. | 530056596 | Assy - Chassis |
| 4. | 530015123 | Washer | 28. | 530015920 | Screw | 54. | 530071259 | Kit - Oil Pump (Incls. 55,56,58) |
| 5. | 530016018 | Screw | 29. | 530016134 | Nut - Flywheel | 55. | 530037820 | Gear - Worm Spring |
| 6. | 530015843 | Screw | 30. | 530015127 | Washer - Flywheel | 56. | 530049477 | Elbow - Oil Pickup |
| 7. | 530047583 | Handle - Front | 31. | 530039209 | Assy - Flywheel | 57. | 530016064 | Screw |
| 8. | 530015940 | Screw | 32. | 530016133 | Bolt - Bar | 58. | 530019206 | Seal Block |
| 9. | 530015814 | Screw | 33. | 530047192 | Assy - Fuel Cap | 59. | 530047663 | Assy - Oil Pickup (Incl. 60-62) |
| 10. | 530044897 | Bar - 16" | 34. | 530015922 | Nut - "U" - Type | 60. | 530038373 | Pick-up Oiler |
| 11. | 538248288 | Chain - 16" | 35. | 530023877 | Fitting - fuel line | 61. | 530037821 | Filter - Oil |
| 12. | 530014381 | Kit - Assy Spike (incl. 13) | 36. | 530069216 | Kit - Fuel line (large) | 62. | 530030189 | Plug - Oil Filter |
| 13. | 530015805 | Screw | 37. | 530047631 | Grommet - Cable | 63. | 530015907 | Washer - Thrust |
| 14. | 530038238 | Plate - Bar Mounting | 38. | 530047602 | Cable - Throttle | 64. | 530047061 | Assy - Clutch Drum w/bearing |
| 15. | 530015814 | Screw | 39. | 530047581 | Cover - Rear Handle | 65. | 530015611 | Washer - Clutch |
| 16. | 530029850 | Chain Catcher | 40. | 530015906 | Screw | 66. | 530014949 | Assy. Clutch |
| 17. | 530016132 | Screw | 41. | 530015886 | Screw | 67. | 530056923 | Assy - Chain Brake |
| 18. | 530010846 | Assy - Oil Cap | 42. | 530036098 | Lockout - Throttle | 68. | 530056935 | Assy - Knob |
| 19. | 530071666 | Kit - Oil Check Valve | 43. | 530036097 | Trigger - Throttle | | | |
| 20. | 530016080 | Screw | 44. | 530042082 | Spring | | | |
| 21. | 530055723 | Baffle - Air | 45. | 530069572 | Kit - Switch | | | |
| 22. | 530015892 | Screw | 46. | 530047582 | Handle - Rear | | | |
| 23. | 530056333 | Housing - Fan | 47. | 530015814 | Screw | | | |
| 24. | 530069232 | Kit - Rope | 48. | 530053274 | Assy. Isolator - lower | | | |
| | | | 49. | 530071385 | Kit - Isolator (Upper) | | | |
| | | | 50. | 530015875 | Screw | | | |

✓ = NEW PART NUMBER FOR THIS IPL

* = REFER TO THE SERVICE REFERENCE INDICATED FOR MORE INFORMATION. (LOCATED AT END OF IPL)

Type 2,3

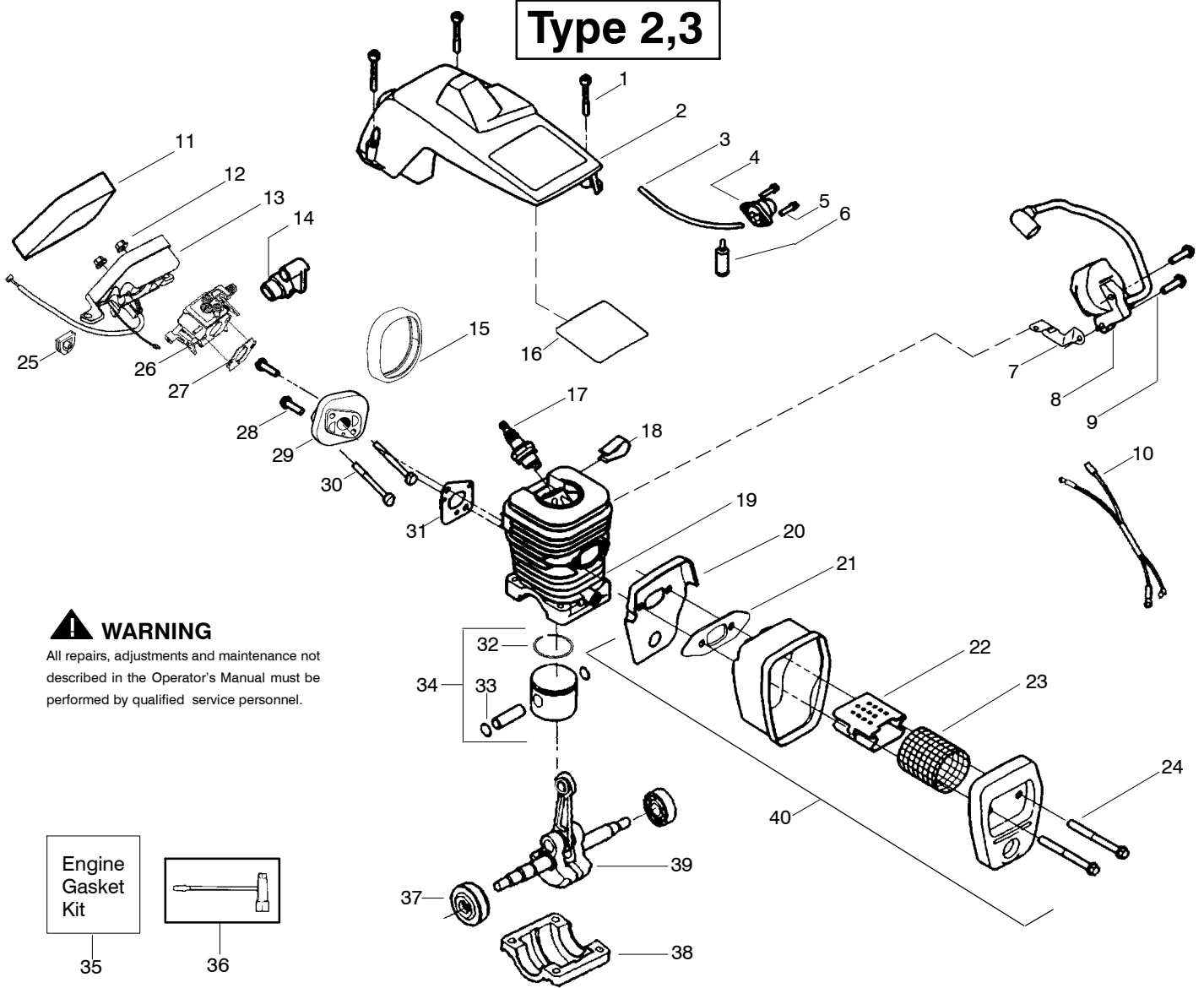


| Ref. | Part No. | Description | Ref. | Part No. | Description | Ref. | Part No. | Description |
|------|-----------|----------------------|------|-----------|-----------------------|------|-----------|---|
| 1. | 530059667 | Assy.-Isolator | 25. | 530015892 | Screw | 53. | 530058733 | Kit-Chassis Assy. fuel lines and caps) |
| 2. | 530047608 | Limiter Strap | 26. | 530056333 | Housing-Fan | 54. | 530015907 | Washer-Thrust |
| 3. | 530059668 | Spring-Isolator | 27. | 530069232 | Kit - Rope | 55. | 530047061 | Assy.-Clutch Drum w/bearing |
| 4. | 530015158 | Washer | 28. | 530056402 | Handle-Starter | 56. | 530015611 | Washer-Clutch |
| 5. | 530016018 | Screw | 29. | 530027531 | Spring-Recoil | 57. | 530014949 | Assy. Clutch |
| 6. | 530015843 | Screw | 30. | 530015920 | Screw | 58. | 530071259 | Kit - Oil Pump (incl. 59,60,62) |
| 7. | 530047583 | Front Handle | 31. | 530015127 | Washer-Flywheel | 59. | 530037820 | Gear-Worm Spring |
| 8. | 530015940 | Screw | 32. | 530039187 | Assy-Flywheel | 60. | 530049477 | Elbow-Oil Pickup |
| 9. | 530015814 | Screw | 33. | 530047192 | Assy-Fuel Cap w/ret. | 61. | 530016064 | Screw |
| 10. | ---- | Bar | 34. | 530023877 | Fitting-fuel line | 62. | 530019206 | Seal Block |
| ↙ | 530044897 | 16" | 35. | 530069216 | Kit-Fuel line (large) | 63. | 530047663 | Assy-Oil Pick-up (Incl. 64,65) |
| ↙ | 530044952 | 18" | 36. | 530016149 | Spring-Switch | 64. | 530038373 | Pick-up Oiler |
| 11. | ---- | Chain | 37. | 530015775 | Screw | 65. | 530056533 | Filter-Oil |
| ↙ | 538248288 | 16" | 38. | 530047581 | Cover-Rear Handle | 66. | 530071897 | Kit-Chain Brake Adjuster (Incl. knob) |
| ↙ | 530051453 | 18" | 39. | 530015886 | Screw | | | |
| 12. | 530014381 | Kit-Spike (Incl. 13) | 40. | 530015906 | Screw | | | |
| 13. | 530016439 | Screw | 41. | 530036098 | Throttle Lockout | | | |
| 14. | 530016132 | Screw | 42. | 530036097 | Trigger-Throttle | | | |
| 15. | 530038238 | Plate-Bar Mount. | 43. | 530047582 | Handle - Rear | | | |
| 16. | 530015814 | Screw | 44. | ★★★★★ | Screw | | | |
| 17. | 530029850 | Chain Catcher | 45. | ★★★★★ | Assy Isolator-lower | | | |
| 18. | 530016133 | Bolt-Bar | 46. | 530071958 | Kit-Isolator (Upper) | | | |
| 19. | 530057236 | Assy-Oil Cap w/ret. | 47. | 530015875 | Screw | | | |
| 20. | 530071666 | Kit-Oil Vent | 48. | 530059668 | Spring-Isolator | | | |
| 21. | 530016134 | Nut-Flywheel | 49. | 530057473 | Lever-Switch | | | |
| 22. | 530016080 | Screw | 50. | 530057474 | Lever-Choke | | | |
| 23. | 530037817 | Starter Pulley | 51. | 530049005 | Grommet-Knob | | | |
| 24. | 530055723 | Baffle-Air | 52. | 530015922 | Nut-"U"-Type | | | |

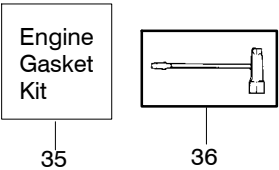
↙ = NEW PART NUMBER FOR THIS IPL

★ = REFER TO THE SERVICE REFERENCE INDICATED FOR MORE INFORMATION. (LOCATED AT END OF IPL)

Type 2,3



WARNING
All repairs, adjustments and maintenance not described in the Operator's Manual must be performed by qualified service personnel.



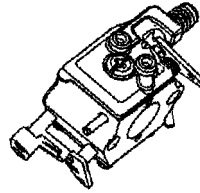
| Ref. | Part No. | Description | Ref. | Part No. | Description | Ref. | Part No. | Description |
|------|-----------|--|------|-----------|---|-----------|-----------|------------------------------|
| 1. | 530016153 | Screw | 19. | 530012550 | Cylinder | 36. | 530031135 | Scrench |
| 2. | 530056914 | Assy - Cylinder Shield (includes # 16) | 20. | 530049870 | Backplate - Muffler | 37. | 530056363 | Assy - Seal & Bearing |
| 3. | 530069247 | Kit - Fuel Line (Small) | 21. | 530069608 | Gasket - Muffler (kit) | 38. | 530037935 | Cap - Crankcase |
| 4. | 530071385 | Kit - Air Purge (Incl. #5) | 22. | 530037813 | Diffuser - Muffler | 39. | 530047062 | Assy - Crankshaft |
| 5. | 530015780 | Screw | 23. | 530036103 | Screen - Spark | 40. | 530047207 | Assy - Muffler (Incl. 20-24) |
| 6. | 530095646 | Assy - Fuel Pick-up | 24. | 530016132 | Bolt - Muffler | Not Shown | | |
| 7. | 530047442 | Strap - Ground | 25. | 530047631 | Grommet - Throttle Cable | --- | --- | Manuals |
| 8. | 530039198 | Ignition Module | 26. | --- | Kit - Carburetor | --- | --- | (Scan) |
| 9. | 530015814 | Screw | --- | 530071820 | Zama (W-20) | ✓ | 530166071 | (Euro I) |
| 10. | 530057475 | Assy - Wire Harness | --- | 530071821 | Walbro (WT-662) | ✓ | 530166072 | (Euro II) |
| 11. | 530037793 | Foam - Air Filter | 27. | 530069608 | Gasket - Carb. (kit) | ✓ | 530166073 | (Euro III) |
| 12. | 530016101 | Nut | 28. | 530016386 | Screw | ✓ | 530166074 | (Euro IV) |
| 13. | 530057702 | Assy - Air Box | 29. | 530049700 | Carb. Adapter | ✓ | 530166075 | (Euro V) |
| 14. | 530035526 | Grommet - Carb Adjust | 30. | 530016187 | Screw | ✓ | 530166076 | (Turkish) |
| 15. | 530054144 | Seal - Carb Adapter | 31. | 530069608 | Gasket - Adaptor (kit) | ✓ | 530166077 | (Russian) |
| 16. | 530055698 | Reflector - Heat | 32. | 530038729 | Ring - Piston | ✓ | 530054781 | Decal - Warning |
| 17. | 952030150 | Spark Plug (RCJ-7Y) | 33. | 530015697 | Retainer - Piston Pin | | | |
| 18. | 530016136 | Clip - High Tension Lead | 34. | 530071408 | Kit - Piston (Incl. 32 & 33) | | | |
| | | | 35. | 530069608 | Kit - Engine Gasket (Incl. 21, 27 & 31) | | | |

| | | | |
|------------------------------------|----------------------------------|--|--|
| PARTS LIST NO. 530163923 | | McCULLOCH . [®] PARTS LIST | CHAIN SAW MODEL(S) MAC CAT 442 |
| DATE 3/07/05 | Replaces 530163923 - 12/10/04 | | Note: Illustration may differ from actual model due to design changes |

Kit - Carburetor Assembly No. 530071621 - WT-625

Kit - Carburetor Assembly No. 530071820 - W-20

Kit - Carburetor Assembly No. 530071821 - WT-662



Note: No Repair kits are available for these carburetors

★★★★★ **Service Reference** ★★★★★

Note: Due to product improvements, your unit may have been built with or without the spring and screw shown below. If your unit does not have this spring and screw, no action is required. If your unit does have the spring and screw, please order the part numbers listed below.

